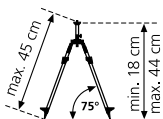
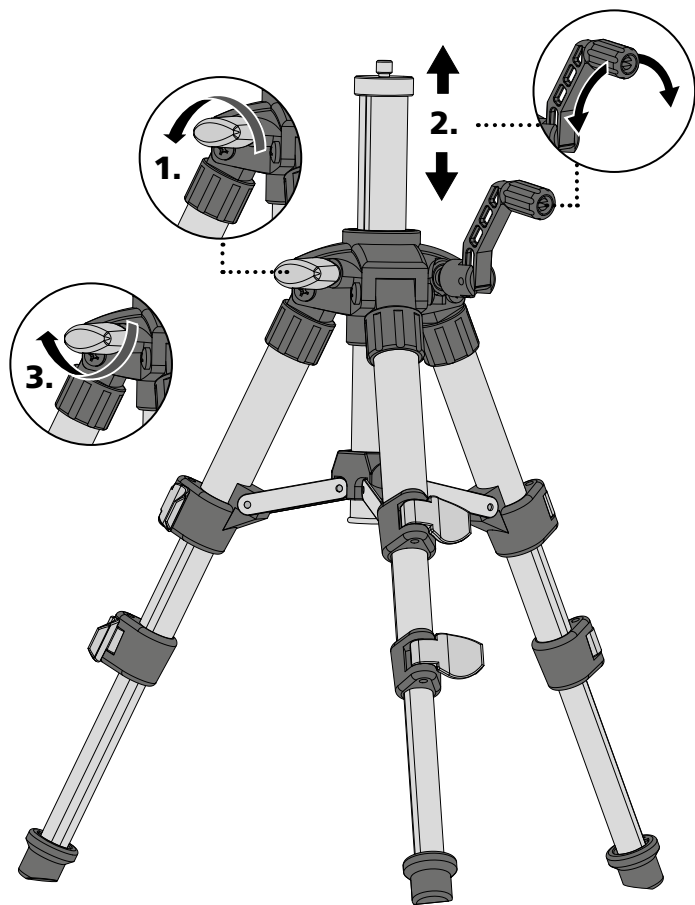


## Compact Tripod 45 cm

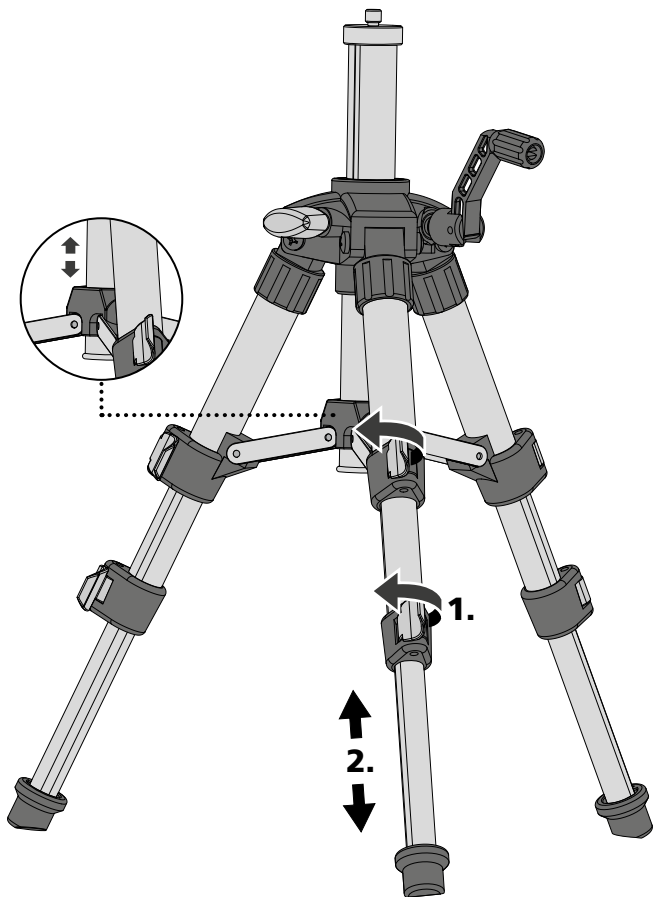
---



**Laserliner**



# Compact Tripod 45 cm



## Compact Tripod 45 cm



SERVICE



**Umarex GmbH & Co. KG**

– Laserliner –

Möhnestraße 149, 59755 Arnsberg, Germany

Tel.: +49 2932 638-300, Fax: +49 2932 638-333

info@laserliner.com

Umarex GmbH & Co. KG

Donnerfeld 2

59757 Arnsberg, Germany

Tel.: +49 2932 638-300, Fax: -333

www.laserliner.com

UK CA CE

**Laserliner**

Rev21W13