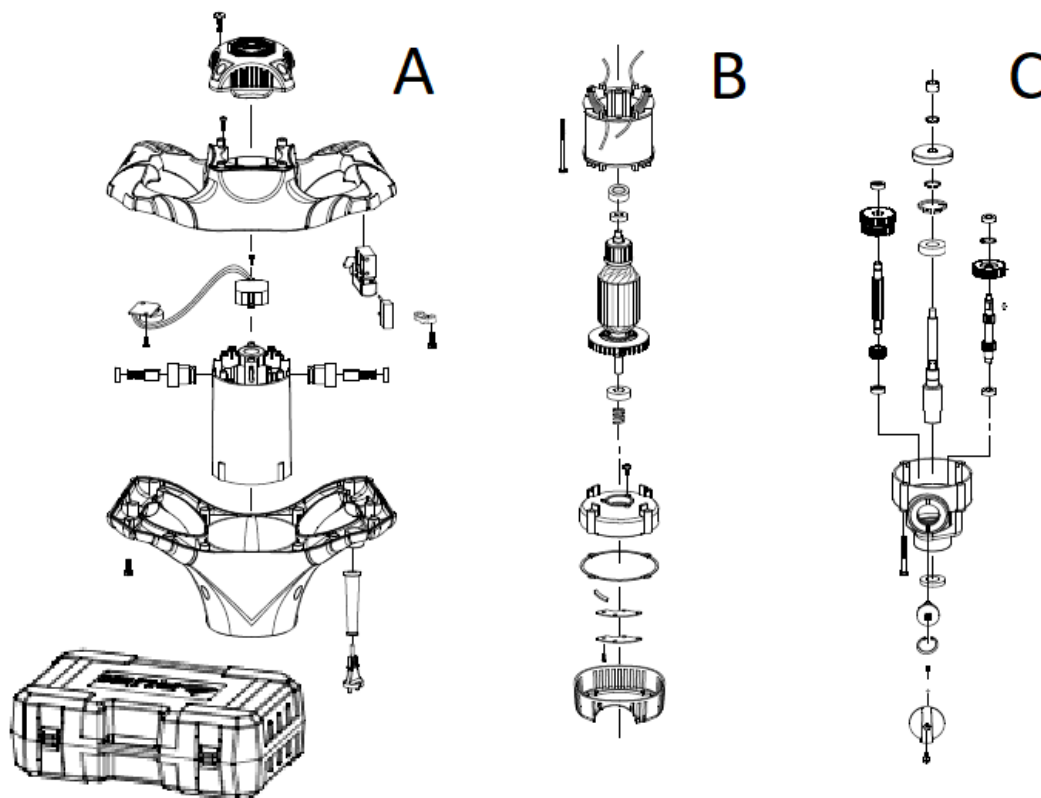


# RUBIMIX-9 SUPERTORQUE



1000043759 00 27/01/2021

Página 1 de 4

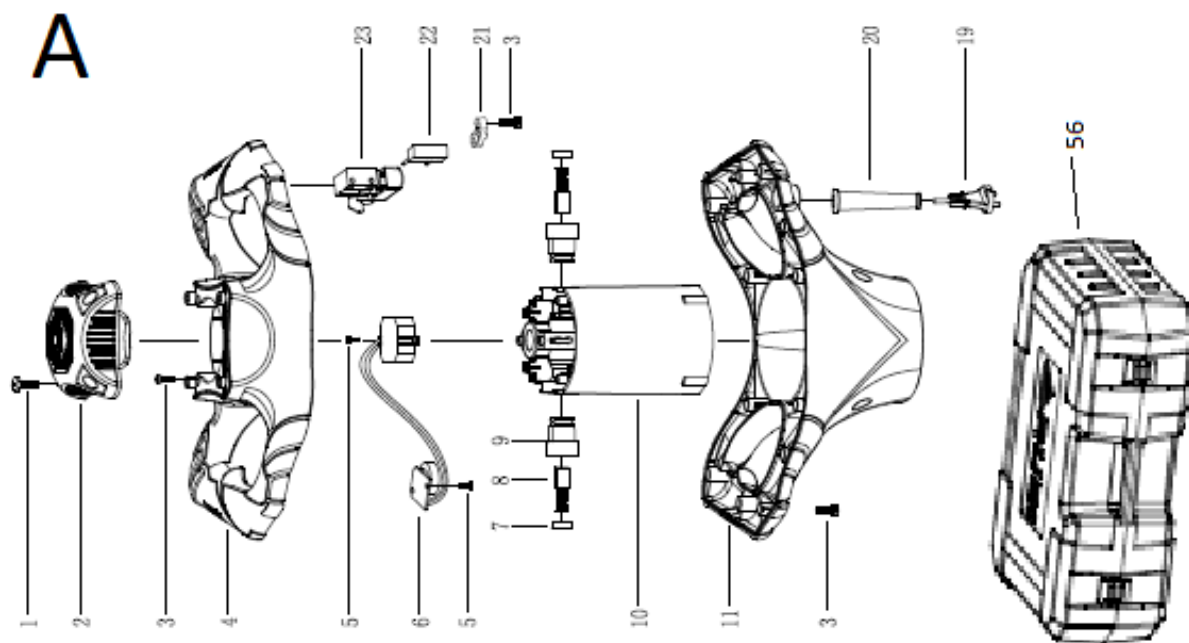


Part-list	ES	EN	Prod.
1	A	GRUPO A	GROUP A
2	B	GRUPO B	GROUP B
3	C	GRUPO C	GROUP C

Prod.	ES	EN	From serial num.
26970	RUBIMIX-9 SUPERTORQUE 230V 50/60HZ	RUBIMIX-9 SUPERTORQUE 230V 50/60HZ	-
26971	RUBIMIX-9 SUPERTORQUE 110V 50/60HZ UK	RUBIMIX-9 SUPERTORQUE 110V 50/60HZ UK	-
26972	RUBIMIX-9 SUPERTORQUE 220V 50/60HZ UK	RUBIMIX-9 SUPERTORQUE 220V 50/60HZ UK	-
26973	RUBIMIX-9 SUPERTORQUE 120V USA+CHUCK	RMIX-9 SUPERTORQUE 120V 50/60 USA+CHUCK	-
26974	RUBIMIX-9 SUPERTORQUE 230V C/MALETA	RUBIMIX-9 SUPERTORQUE 230V W/CASE	-
26975	RUBIMIX-9 SUPERTORQUE 230V Y PORTABROCAS	RUBIMIX-9 SUPERTORQUE 230V W/CHUCK	-

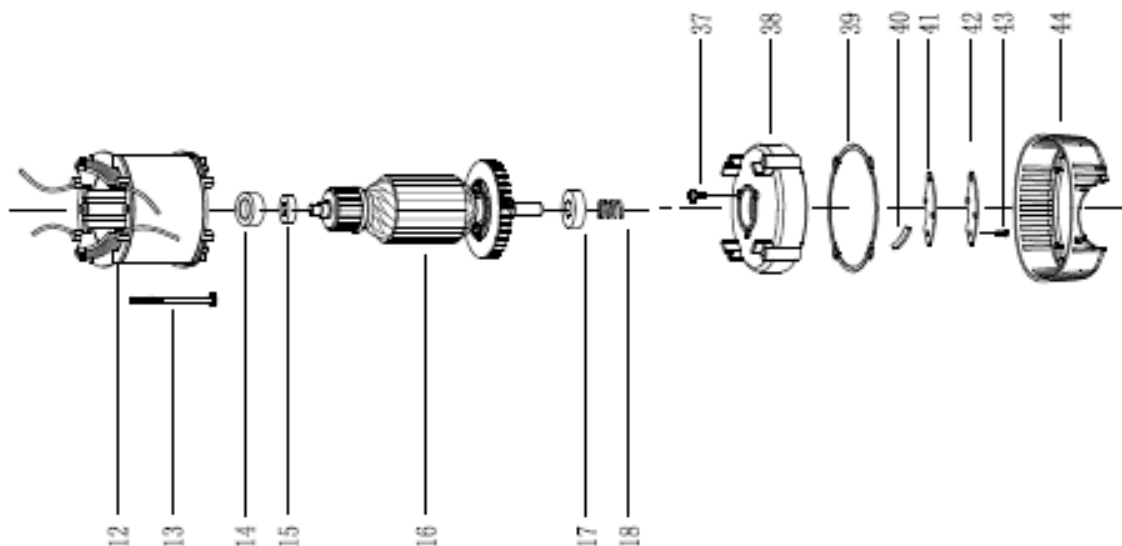
Queda reservado el derecho de introducir cualquier modificacion técnica sin previo aviso

We reserve the right to introduce any technical modification without previous notice



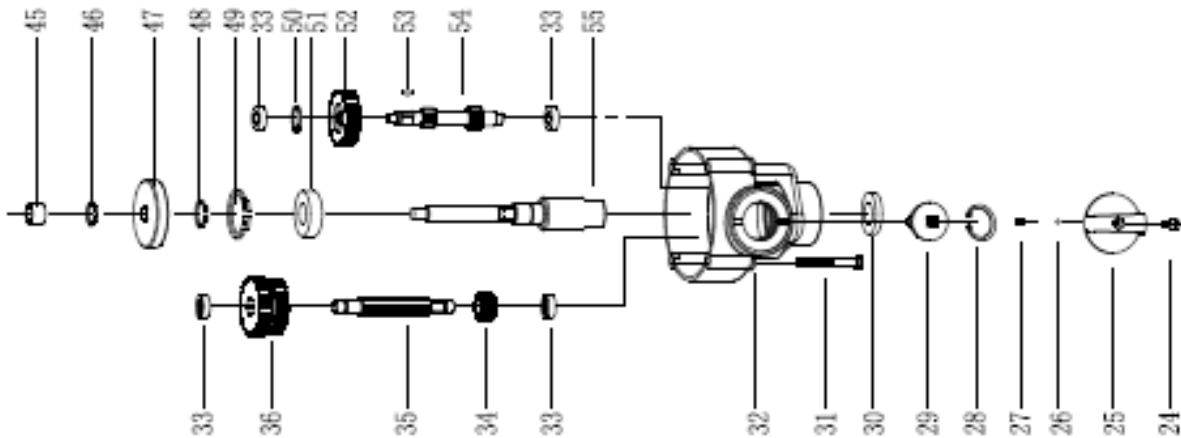
Part-list	ES	EN	Prod.	
1	26198 4	TORN ST4,8X14 6.8 ZN	SCREW ST4,8X14 6.8 ZP	
2	26341 1	TAPA TRASERA RUBIMIX SUPERTORQUE	REAR COVER RUBIMIX SUPERTORQUE	
3	24345 14	TORN ST3,9X14	SCREW ST3,9X14	
4	26343 1	MANGO SUPERIOR RUBIMIX SUPERTORQUE	UPPER HANDLE RUBIMIX SUPERTORQUE	
5	51607 4	TORN ST2,9X8	SCREW ST2,9X8	
6	26345 1	CONTROL VELOCIDAD RUBIMIX SUPERTORQUE	E-SPEED CONTROL RUBIMIX SUPERTORQUE	
7	24507 2	JUEGO TAPA PORTAESCOB.RMIX-9N/PLUS (2U)	BRUSH HOLDER COVER RUBIMIX-9N	
8	24532 2	JUEGO ESCOB.RMIX-9N 230V/PLUS (2 UN)	CARBON BRUSHER SET RUBIMIX-9N 230V	
9	24509 2	JUEGO PORTAESCOB.RMIX-9N/PLUS (2 UN)	BRUSHER HOLDER RUBIMIX-9N	
10	26346 1	CARCASA MOTOR RUBIMIX SUPERTORQUE	MOTOR HOUSE RUBIMIX SUPERTORQUE	
11	26348 1	MANGO INFERIOR RUBIMIX SUPERTORQUE	LOWER HANDLE RUBIMIX SUPERTORQUE	
19	26354 1	ENCHUFE CABLE 230V 2X1MM 3M VDE	POWER PLUG 230V 2X1MM 3M VDE	26970, 74, 75
19	26342 1	ENCHUFE CABLE 230V 2X1MM 3M UK	POWER PLUG 230V 2X1MM 3M UK	26972
19	26367 1	ENCHUFE CABLE 110V 2X1MM 3M UK	POWER PLUG 110V 2X1MM 3M UK	26971
19	26369 1	ENCHUFE CABLE 120V 2X1MM 3M USA	POWER PLUG 120V 2X1MM 3M USA	26973
20	25734 1	PROTECCION CABLE RUBIMIX-9-N	CORD GUARD RMIX-9-N	
21	25114 1	FIJACION CABLE RUBIMIX-9	CORD CAMP RMIX-9-BL	
22	24385 1	CONDENSADOR RUBIMIX-16 ERGOMAX	CAPACITOR RUBMIX-16 ERGOMAX	
23	26356 1	INTERRUPTOR 230V 10A RUBIMIX SUPERTORQUE	SWITCH 230V 10A RUBIMIX SUPERTORQUE	26970, 72, 74, 75
23	26368 1	INTERRUPTOR 110V 10A RUBIMIX SUPERTORQUE	SWITCH 110V 10A RUBIMIX SUPERTORQUE	26971, 73
56	26365 1	MALETA RUBIMIX SUPERTORQUE	CASE RUBIMIX SUPERTORQUE	26974

## B



Part-list	ES	EN	Prod.	
12	26339 1	ESTATOR 110V RUBIMIX SUPERTORQUE	STATOR 110V RUBIMIX SUPERTORQUE	26971, 73
12	26350 1	ESTATOR 230V RUBIMIX SUPERTORQUE	STATOR 230V RUBIMIX SUPERTORQUE	26970, 72, 74, 75
13	51537 2	TORN ST4,8X70	SCREW ST4,8X70	
14	25121 1	FUNDA GOMA RUBIMIX-9	RUBBER LOOP RMIX-9-BL	
15	25122 1	RODAMIENTO 6000	BEARING 6000	
16	26352 1	ROTOR 230V RUBIMIX SUPERTORQUE	ROTOR 230V RUBIMIX SUPERTORQUE	26970, 72, 74, 75
16	26366 1	ROTOR 110V RUBIMIX SUPERTORQUE	ROTOR 110V RUBIMIX SUPERTORQUE	26971, 73
17	24365 1	RODAMIENTO 6001 RUBIMIX-16 ERGOMAX	BEARING 6001 RUBIMIX-16 ERGOMAX	
18	24366 1	MUELLE POS.22 RUBIMIX-16 ERGOMAX	SPRING POS.22 RUBIMIX-16 ERGOMAX	
37	25572 3	TORN M4X6 ST RUBIMIX-9 PLUS	SCREW M4X6 ST RMIX-9-BL PLUS	
38	26360 1	TAPA MOTOR RUBIMIX SUPERTORQUE	MOTOR COVER RUBIMIX SUPERTORQUE	
39	26361 1	JUNTA ESTANQUEIDAD RMIX SUPETORQUE P.39	OIL WASHER RMIX SUPETORQUE P.39	
40	25577 1	MECHA ENGRASE 5X5X40	GREASE WICK 5X5X40	
41	26362 1	JUNTA ESTANQUEIDAD RMIX SUPETORQUE P.41	OIL WASHER RMIX SUPETORQUE P.41	
42	26363 1	TAPA ACEITE RUBIMIX SUPETORQUE	OIL COVER RUBIMIX SUPETORQUE	
43	25581 4	TORN M3X10 RUBIMIX-9 PLUS	SCREW M3X10 RMIX-9-BL PLUS	
44	26364 1	TAPA VENTILACION RUBIMIX SUPETORQUE	WIND COVER RUBIMIX SUPETORQUE	

C



Part-list	ES	EN	Prod.
24	25125 1	TORN M4X12	SCREW M4X12
25	25180 1	SELECTOR VELOCIDAD RUBIMIX-9N/E10/PLUS	GEARBOX SPEED KNOB RUBIMIX-9N/E10/PLUS
26	25178 2	BOLA RODAMIENTO Ø4	BEARING STEEL BALL Ø4
27	25179 2	MUELLE COMPRESION 4,5X7 Ø0,5	COMPRESSION SPRING 4,5X7 Ø0,5
28	25176 1	ANILLO DIN 472 Ø 27	CIRCLIP DIN 472 Ø 27
29	25175 1	EXCENTRICA SELEC.VEL. RMIX-9N/E10/PLUS	SPEED SHIFT CAM RUBIMIX-9N/E10/PLUS
30	24508 1	RETEN GRASA Ø21X26X5	SHAFT GREASE SEAL Ø21X26X5
31	26358 4	TORN ST4,8X80	SCREW ST4,8X80
32	26359 1	CAJA ENGRANAJES RUBIMIX SUPERTORQUE	GEARBOX RUBIMIX SUPERTORQUE
33	25210 4	RODAMIENTO 698Z	BEARING 698Z
34	25589 1	ENGRANAJE INICIAL CL.III RUBIMIX-9 PLUS	INITIATIVE GEAR CLASS III RMIX-9-BL PLUS
35	25590 1	ENGRANAJE IMPULSOR CL.III RUBIMIX-9 PLUS	DRIVEN GEAR CL.III RMIX-9-BL PLUS
36	25591 1	ENGRANAJE IMPULSOR CL.II RUBIMIX-9 PLUS	DRIVEN GEAR CL.II RMIX-9-BL PLUS
45	25594 1	RODAMIENTO HK1010	BEARING HK1010
46	25593 1	ANILLO 15MM RUBIMIX-9 PLUS	CIRCLIP 15MM RMIX-9-BL PLUS
47	25592 1	ENGRANAJE GRANDE RUBIMIX-9 PLUS	BIG GEAR RMIX-9-BL PLUS
48	25597 1	ANILLO 17MM RUBIMIX-9 PLUS	CIRCLIP 17MM RMIX-9-BL PLUS
49	25598 1	ANILLO 35MM RUBIMIX-9 PLUS	CIRCLIP 35MM RMIX-9-BL PLUS
50	25202 1	ANILLO ELAST.Ø 10 RMIX-9 DUP	CIRCLIP DIA.10 RMIX-9 DUP
51	25599 1	RODAMIENTO 6003 2Z	BEARING 6003 2Z
52	25600 1	ENGRANAJE IMPULSOR CL.I RUBIMIX-9 PLUS	DRIVEN GEAR CL.I RMIX-9-BL PLUS
53	51721 1	CHAVETA DIN 6888 3X3,7X10	WOODRUFF KEY DIN 6888 3X3,7X10
54	25601 1	EJE ENGRANAJE CL.II RUBIMIX-9 PLUS	GEAR SHAFT CL.II RMIX-9-BL PLUS
55	25602 1	PASADOR POS.60 RUBIMIX-9 PLUS	SPINDLE POS.60 RMIX-9-BL PLUS